

# RIDGLOK®

## VERTICAL STANDING SEAM PANEL INSULATION SYSTEM

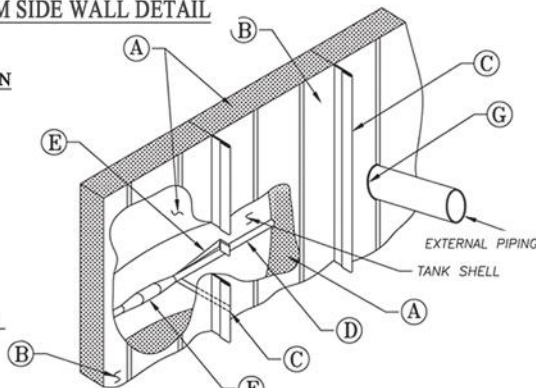
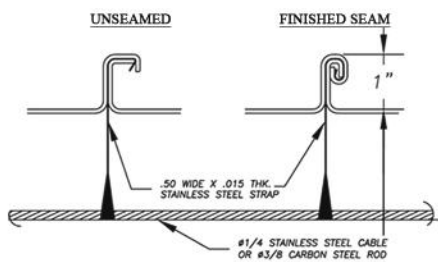
- COST EFFECTIVE
- LOW MAINTENANCE
- PREVENTS ENERGY WASTE
- REDUCES CARBON FOOTPRINT

**NO DOWN TIME DURING INSTALLATION**

**855.RIDGLOK | WWW.RIDGLOK.COM**

VERTICAL STANDING SEAM SIDE WALL DETAIL

TIE DOWN STRAP-STANDING SEAM CONNECTION



DETAIL OF VERTICAL PANEL

# RIDGLOK®

SYSTEM COMPONENTS INCLUDE:

A	INSULATION: COMPOSITES RANGING FROM -460°F to 1200°F
B	METAL: .024" THICK STUCCO EMBOSSED ALUMINUM
C	SEAM: DOUBLE - FOLDED VERTICAL SEAMS
D	CABLE: .25" THICK STAINLESS STEEL CABLES SPACED AS SHOWN
E	BANDING: .50" WIDE X .015" THICK STAINLESS STEEL BANDING
F	STRANDLINKS: .25" ALLGRADE STRANDLINKS
G	CAULKING: POLYURETHANE CAULKING

ASSOCIATIONS & MEMBERSHIPS:

**INSULATION CONTRACTORS LOOKING FOR A VERTICAL STANDING SEAM  
PANEL INSULATION SYSTEM? CONTACT US TODAY ABOUT BECOMING A**

**RIDGLOK® AUTHORIZED DEALER AND INSTALLER**