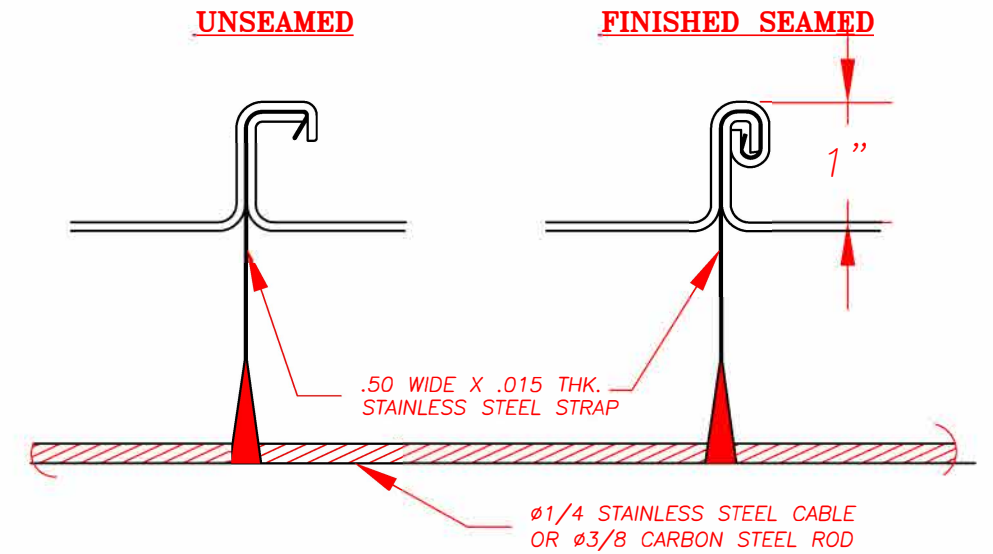


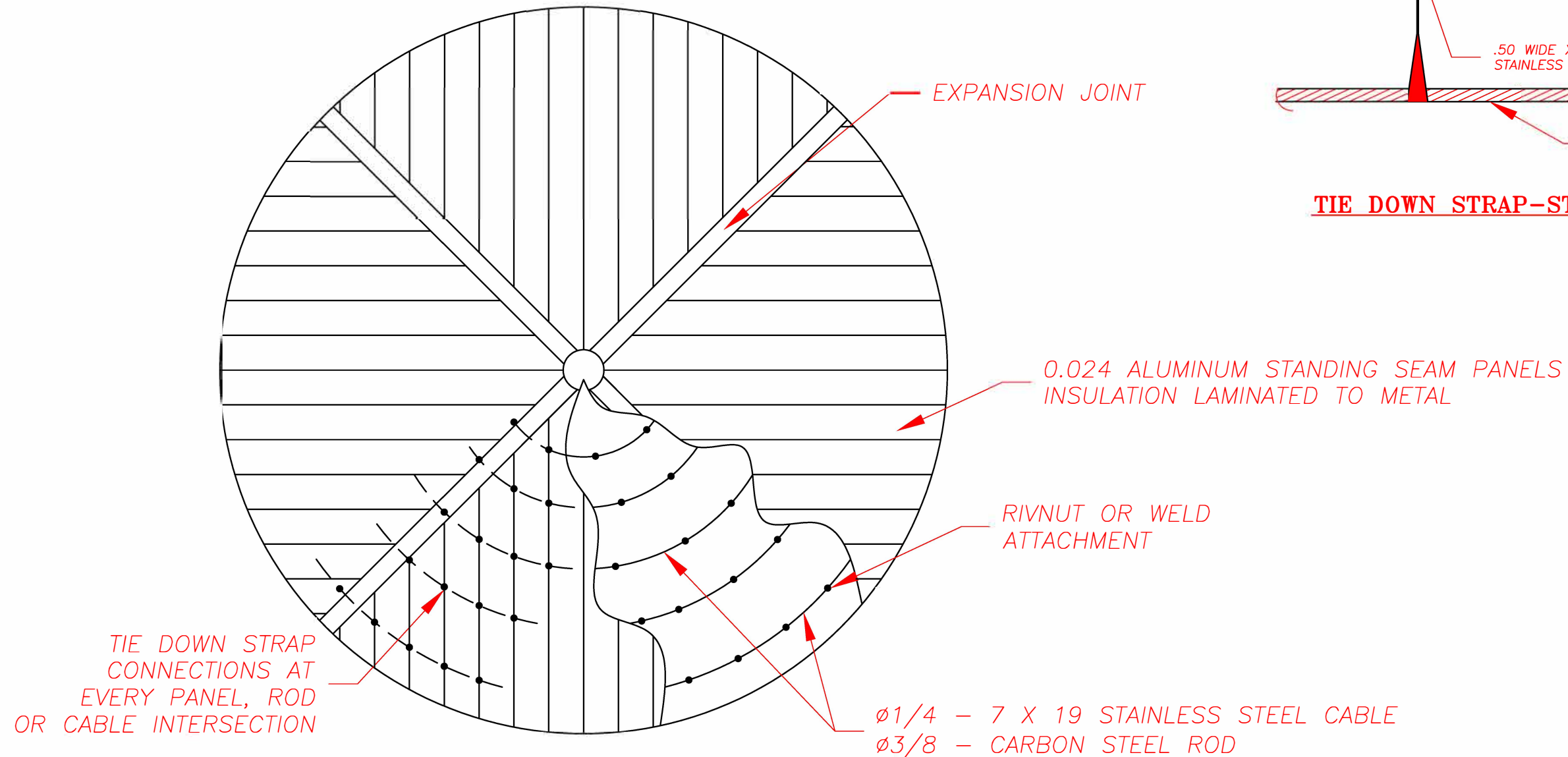
RIDGLOK[®]

PANEL SYSTEM

NOTE: ATTACHMENTS
DETERMINED BY WINDLOAD
SPECIFICATIONS.



TIE DOWN STRAP-STANDING SEAM CONNECTION



CHEVRON (X-DESIGN) ROOF SYSTEM



STANDING SEAM X DESIGN
ROOF SYSTEM

DWG NO. SW-07-06		REV. 00
SCALE-N/A DATE: 4-3-11	PANEL COLOR:	SHT. 1 OF 1